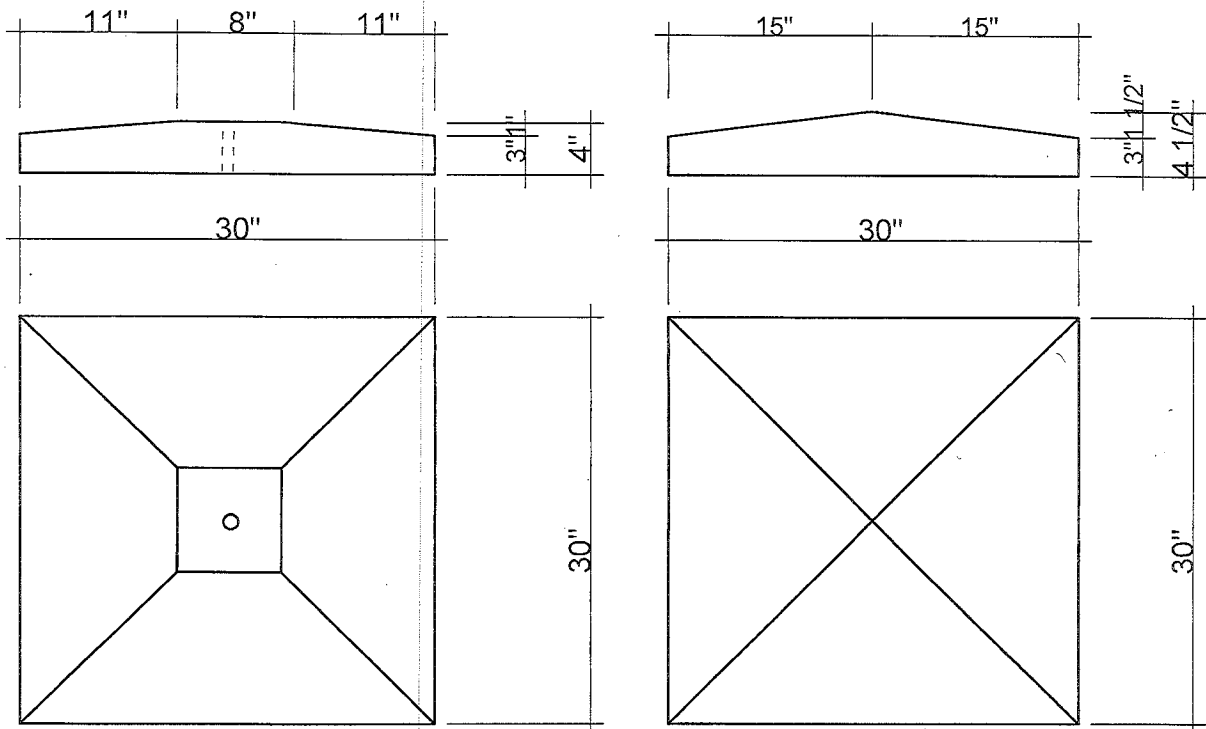


[www.buildingproductscorp.com](http://www.buildingproductscorp.com)



8" x 8" flat on top with 1" diam. hole at center · pyramid type - 4 way wash

**Column Cap #1**

**Column Cap #2**

**Free Standing Wall Column Caps - Std. White (Limestone)**

Unit weight - approx. 260 lbs. each